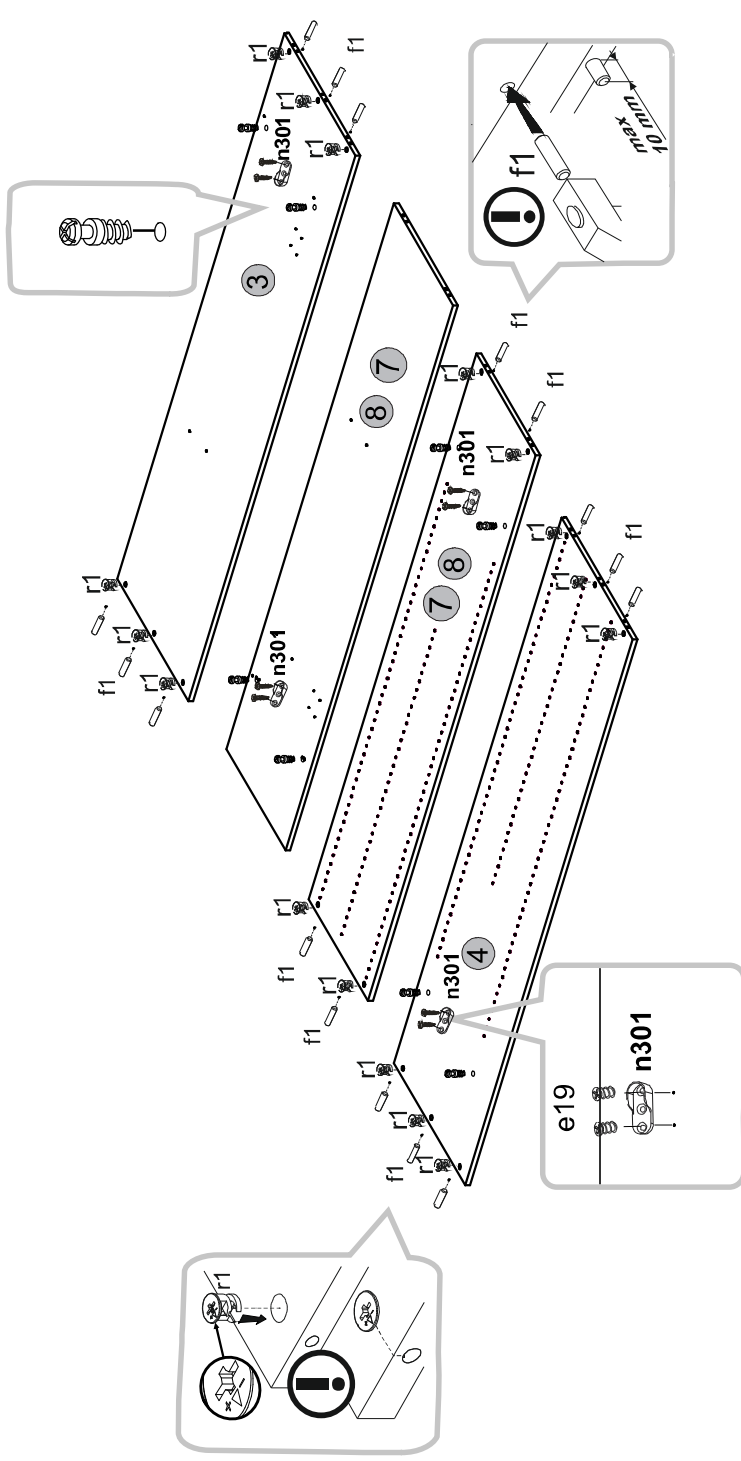
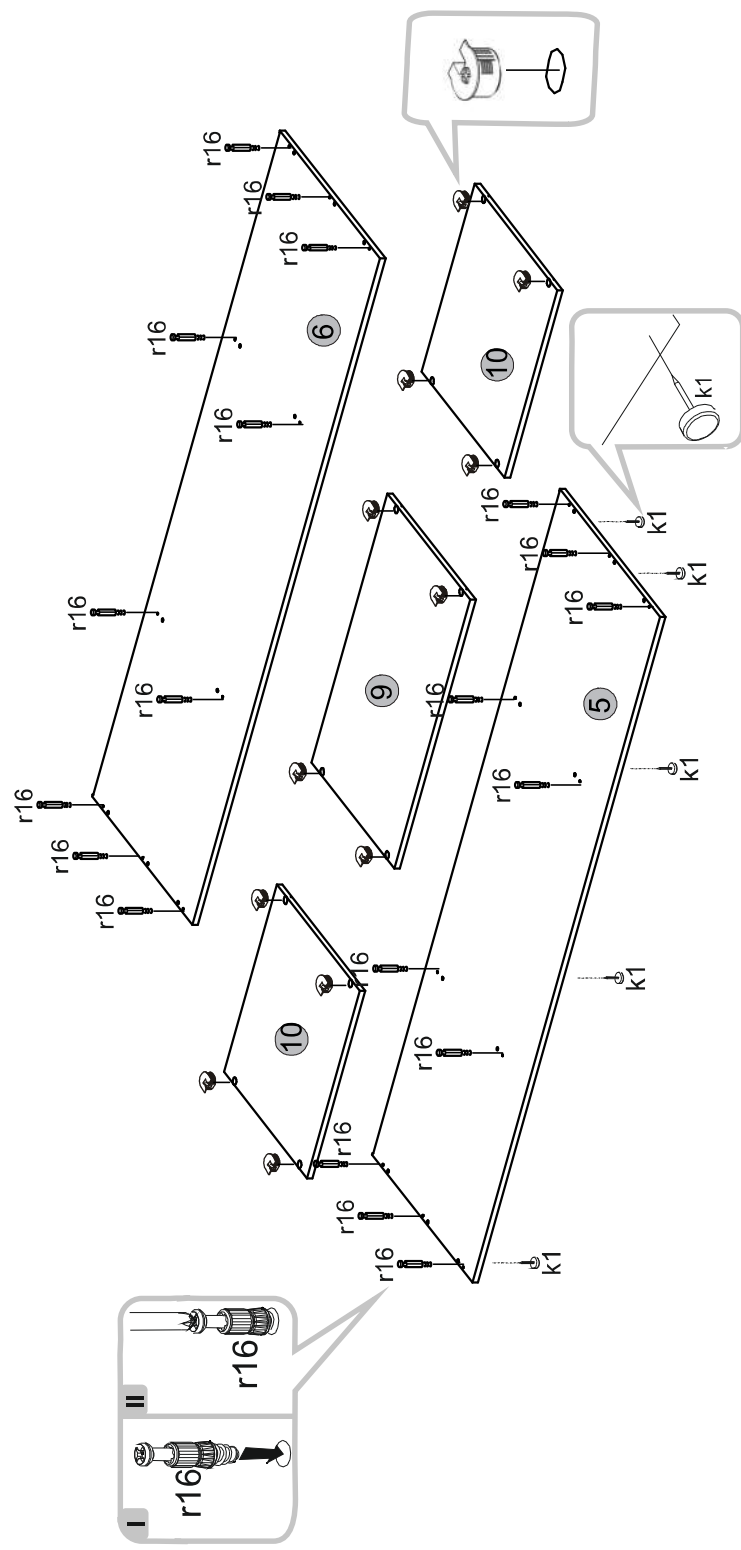


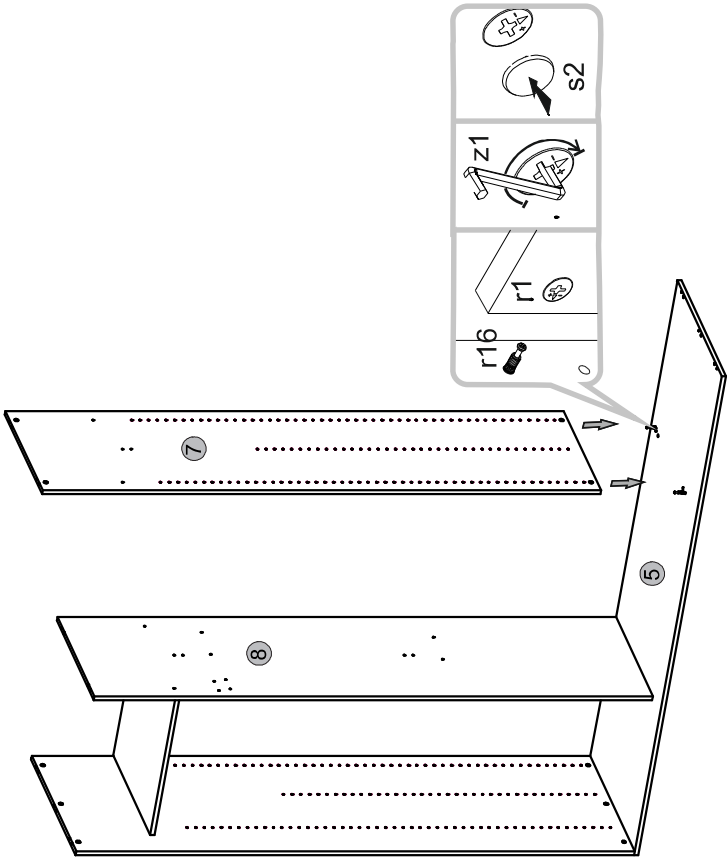
1



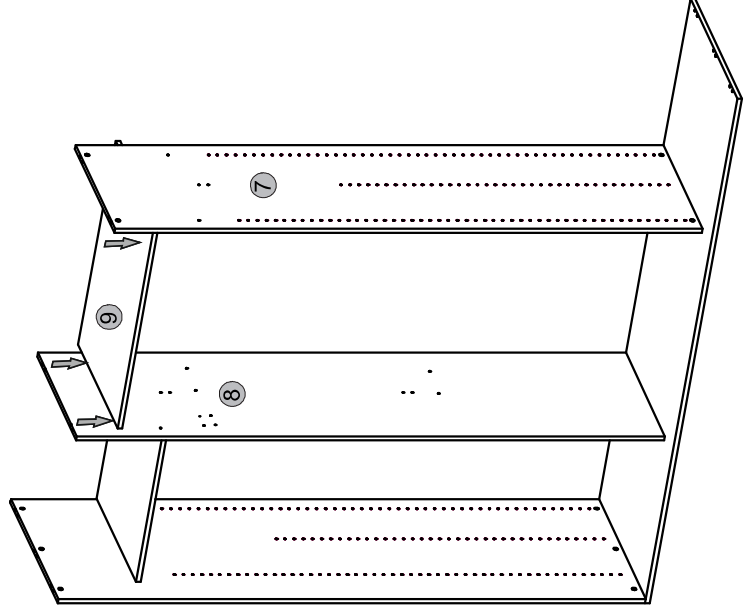
2



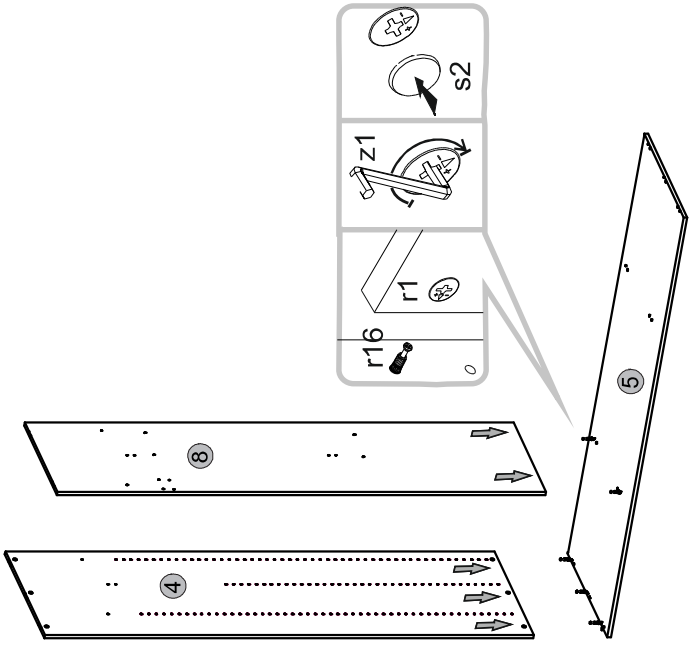
5



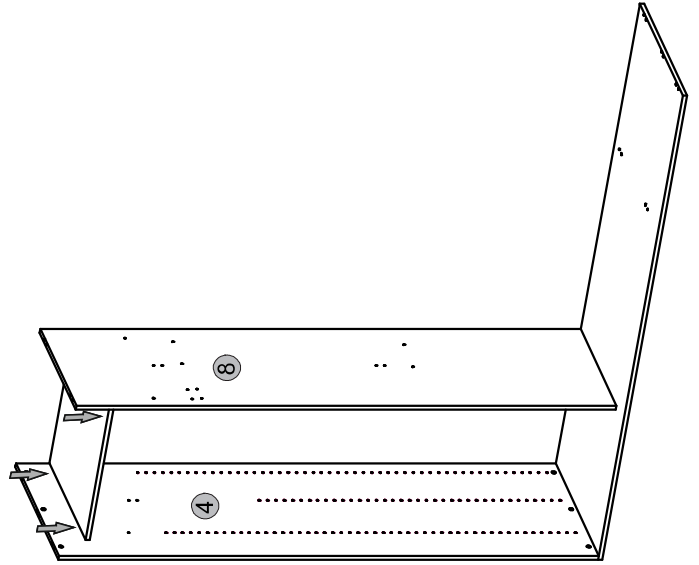
6



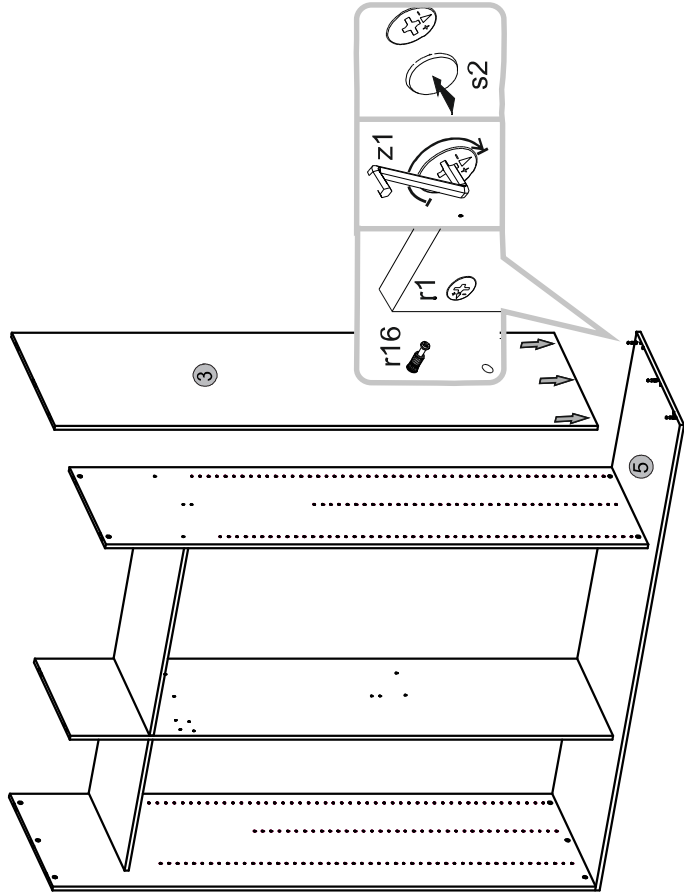
3



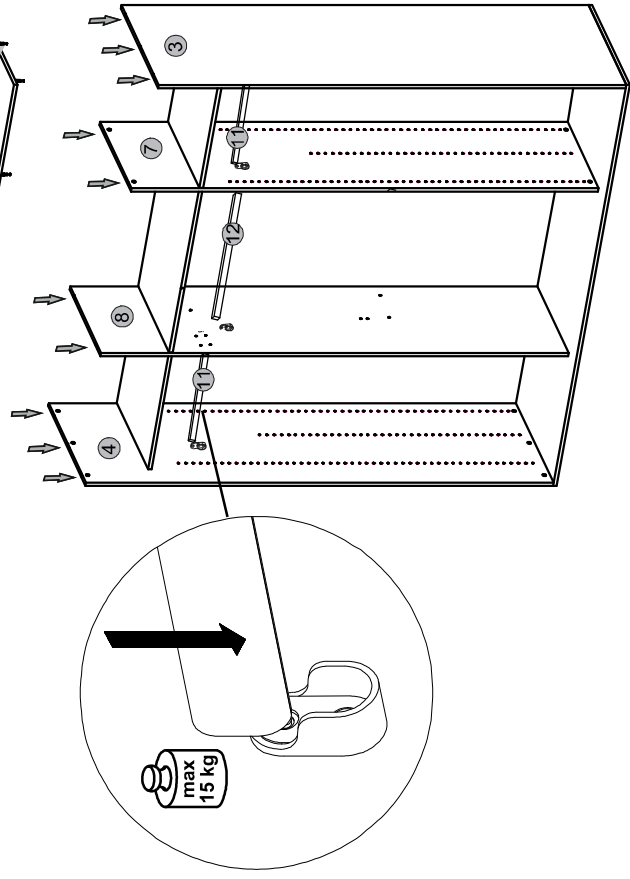
4



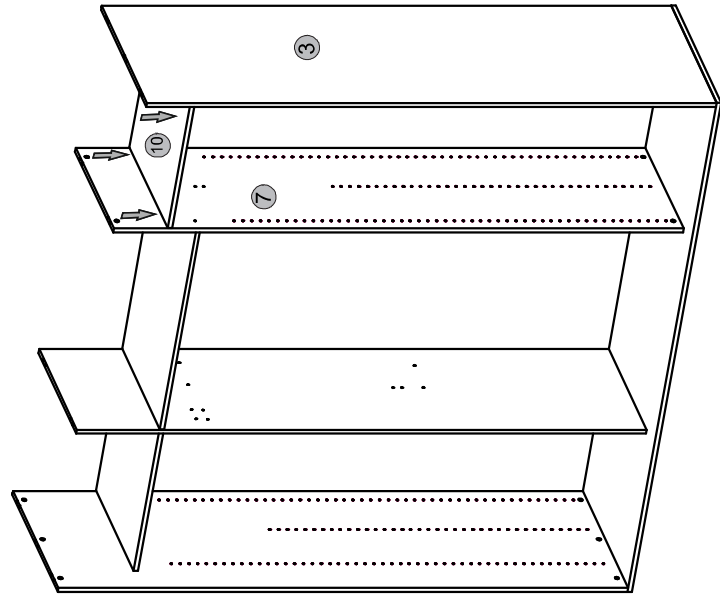
7



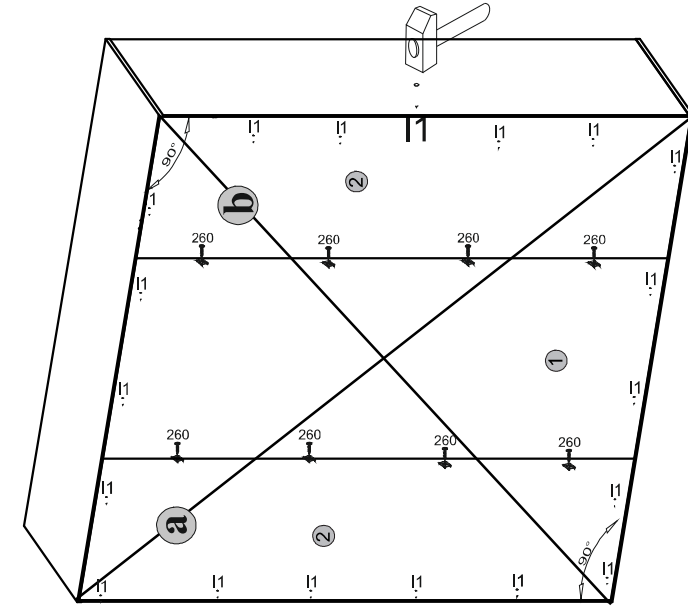
9



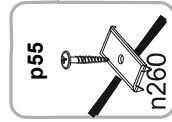
8



10

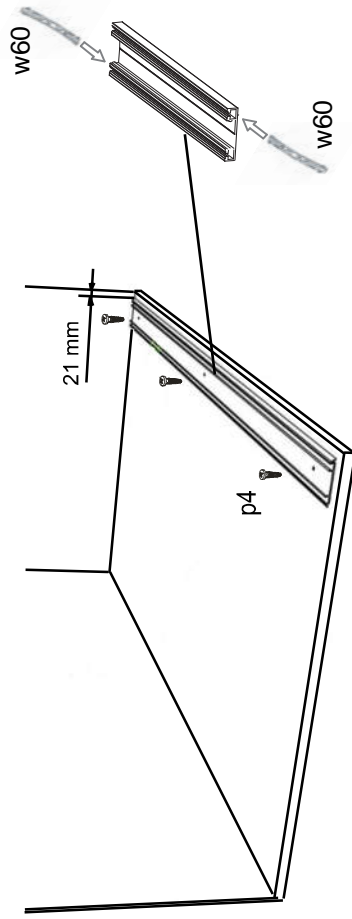
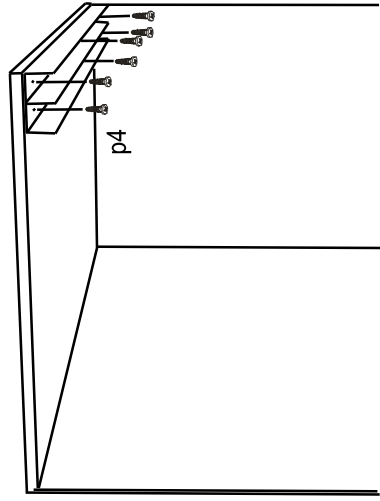
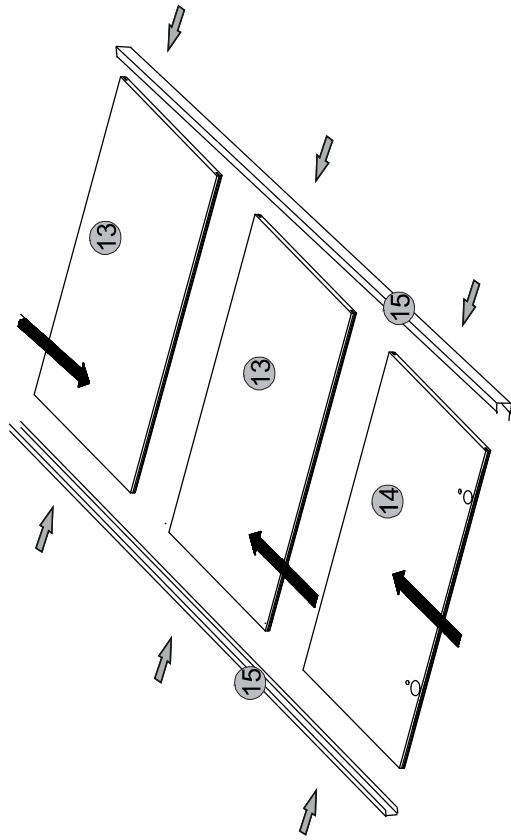


! a=b



11

| Element symbol | Dimensions | pcs | Code | Package |
|----------------|------------|-----|------|---------|
| 13 | 999 675 16 | 4 | | p. |
| 14 | 999 675 16 | 2 | | p. |
| 15 | 2025 | 4 | | |



12

